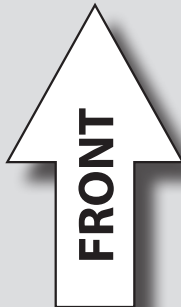
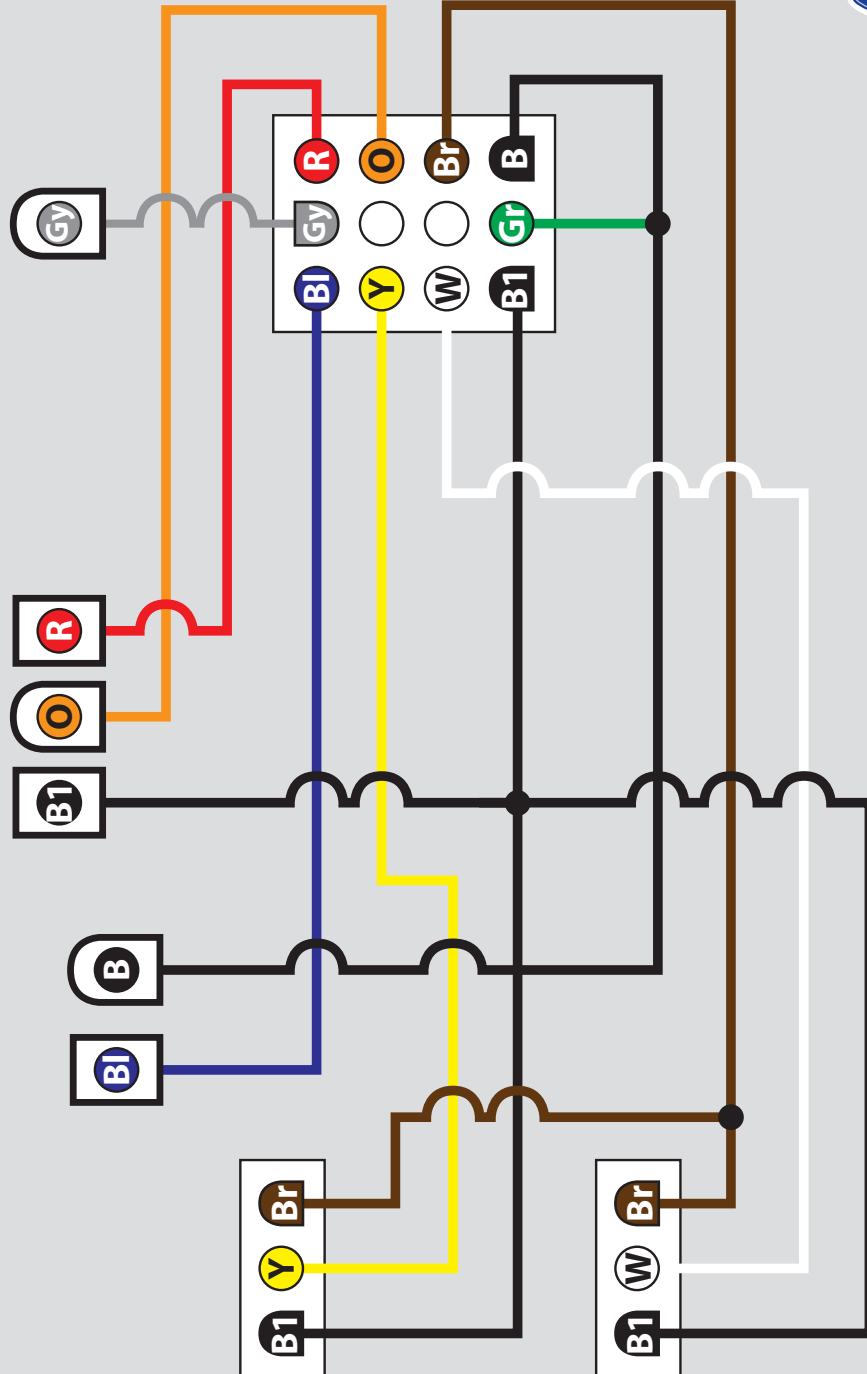


Club Car Precedent Bucket Harness Wiring Diagram

COLOR KEY

Bl	BLUE	Constant (+12V)
Gy	GREY	Key Switch (+48V)
W	WHITE	LEFT Turn Signal (+12V)
Y	YELLOW	RIGHT Turn Signal (+12V)
Br	BROWN	Tail Light (+12V)
R	RED	To Brake Switch (+12V)
O	ORANGE	From Brake Switch (+12V)
B1	BLACK-1	Tail Light/Brake Switch/ Turn Signal (-12V)
B	BLACK	Ground (-12V)
Gr	GREEN	(-12V)



Innovative Golf Cart Accessories
for Your Lifestyle.